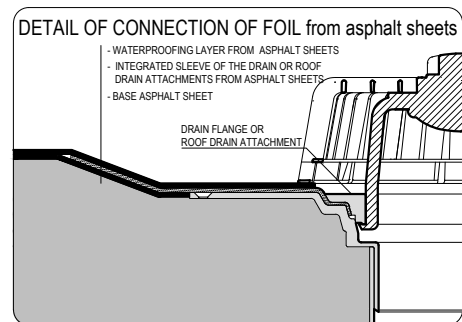
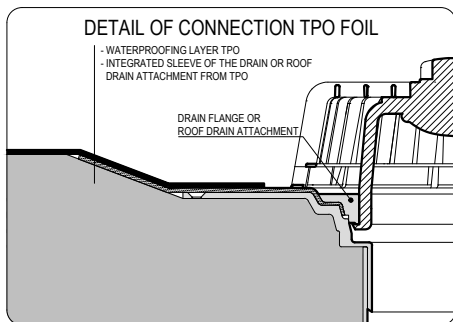
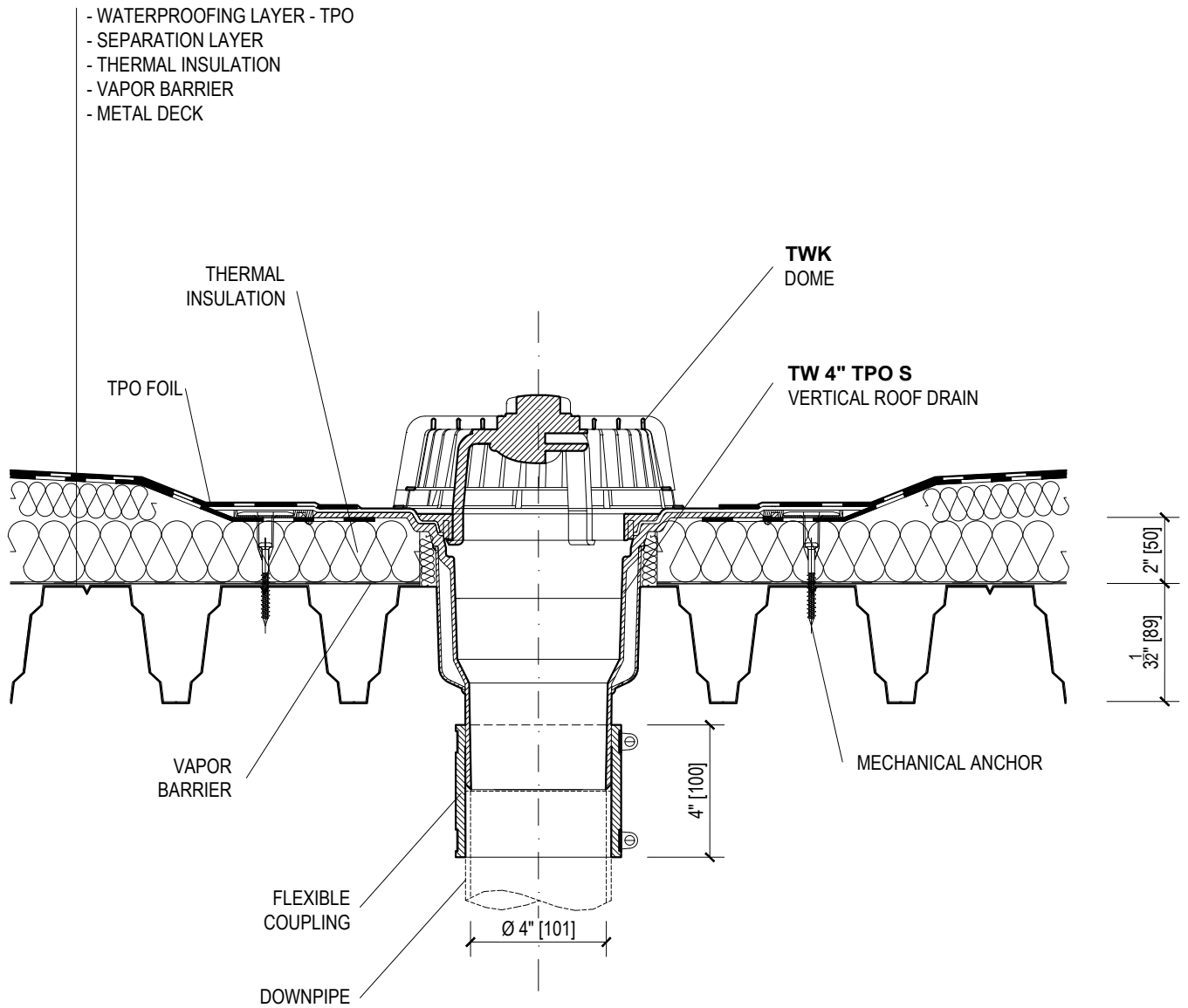
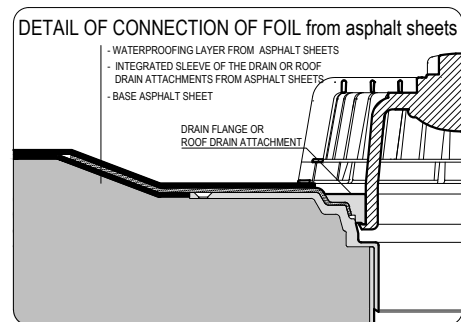
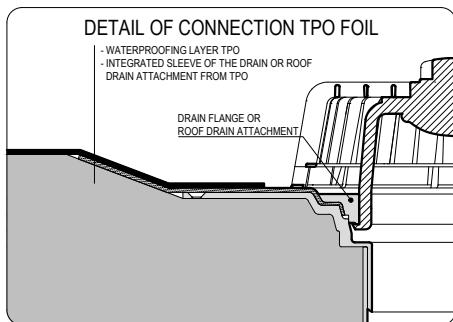
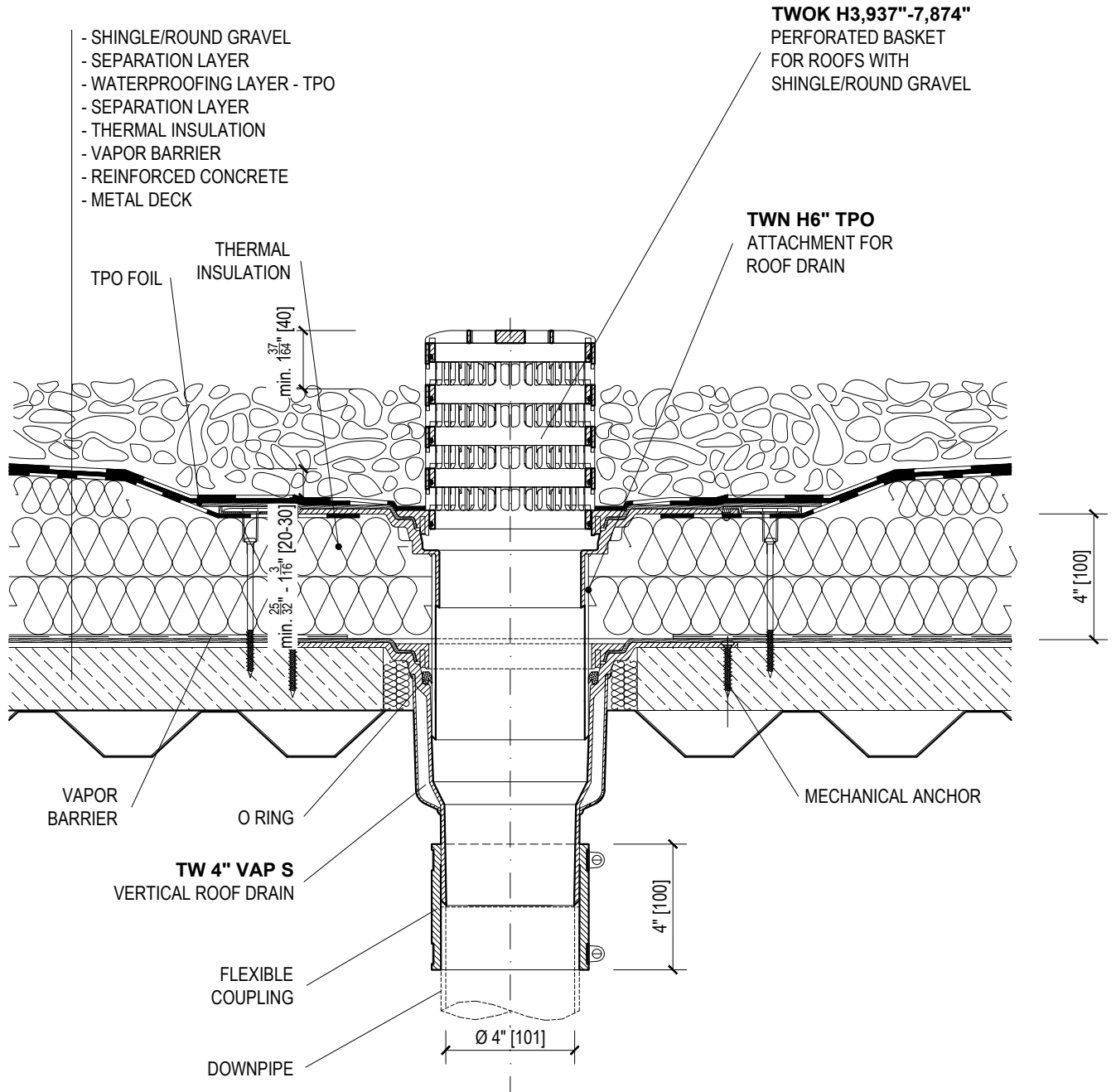


Name	DETAIL OF THE ROOF DRAIN		
Type	DOUBLE DECK THERMAL INSULATED ROOF		
Construction	REINFORCED CONCRETE, METAL DECK		
Components	TW 4" VAP S, TWN H6" TPO	Scale	1:5

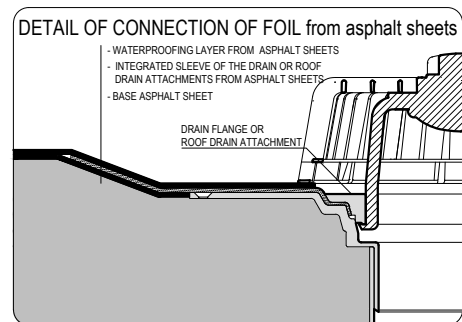
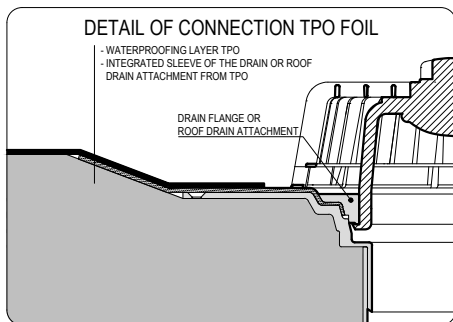
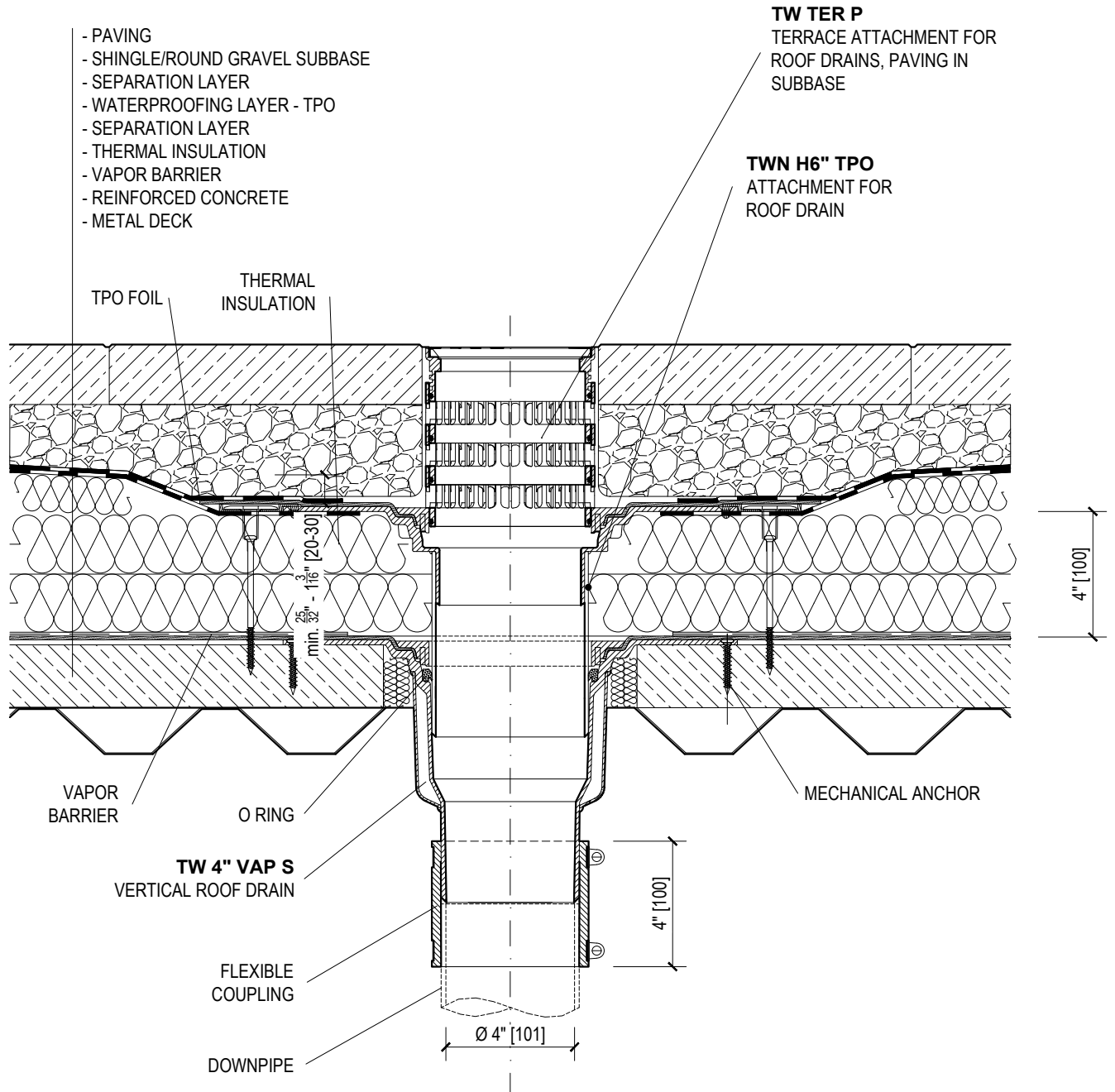


Name	DETAIL OF THE ROOF DRAIN FIT
Type	SINGLE DECK THERMAL INSULATED ROOF
Construction	METAL DECK
Components	TW 4" TPO S

Scale 1:5



Name	DETAIL OF THE ROOF DRAIN		
Type	DOUBLE DECK THERMAL INSULATED ROOF		
Construction	REINFORCED CONCRETE, METAL DECK		
Components	TW 4" VAP S, TWN H6" TPO, TWOK H3,937"-7,874"	Scale	1:5



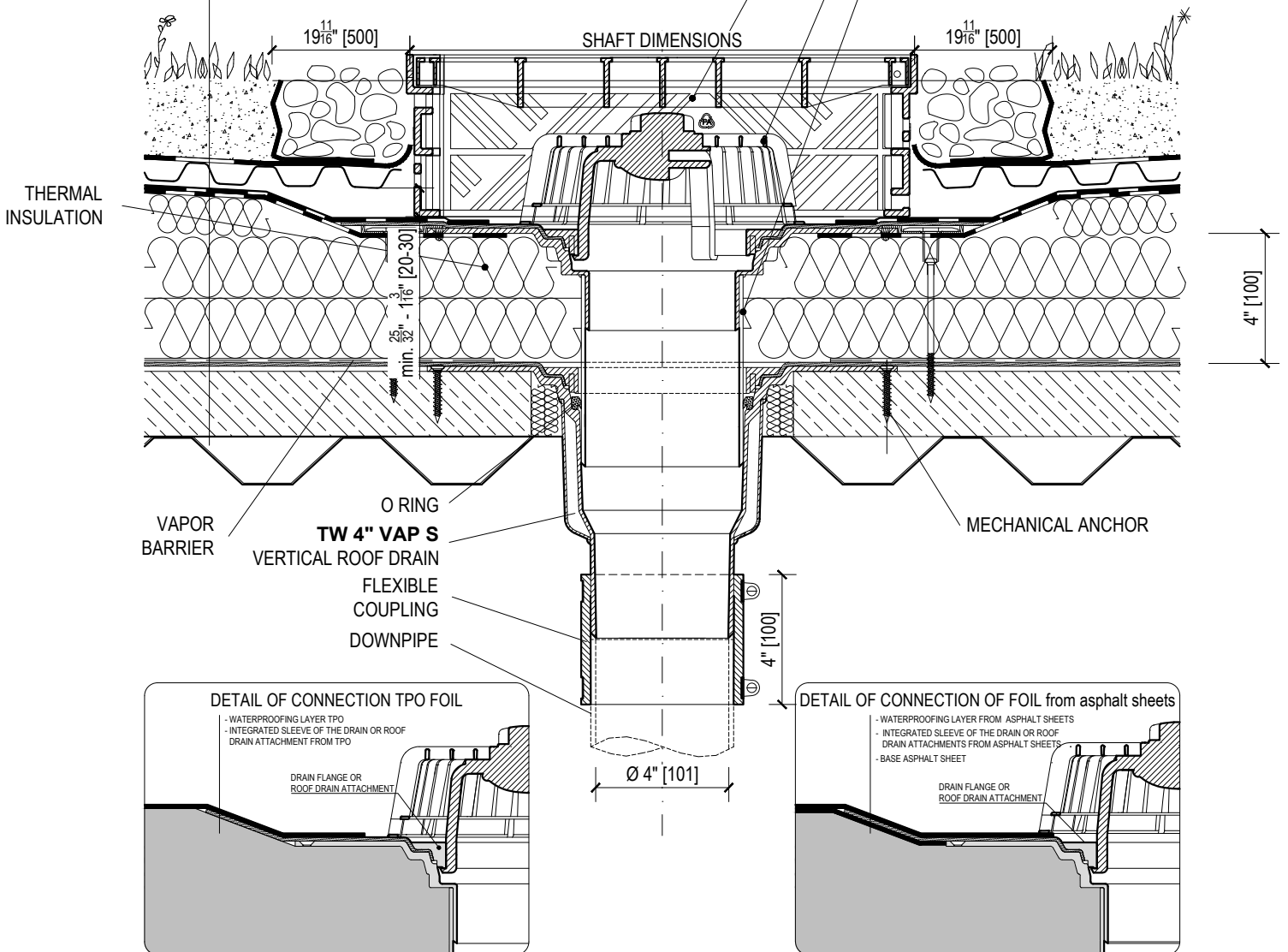
Name	DETAIL OF THE ROOF DRAIN		
Type	DOUBLE DECK THERMAL INSULATED ROOF		
Construction	REINFORCED CONCRETE, METAL DECK		
Components	TW 4" VAP S, TWN H6" TPO, TW TER P	Scale	1:5

- GREENERY
- ROOF SUBSTRATE
- FILTRATION LAYER
- WATER ACCUMULATION LAYER
- PROTECTIVE LAYER
- WATERPROOFING LAYER RESISTANT TO ROOTS
- SEPARATION LAYER
- THERMAL INSULATION
- VAPOR BARRIER
- REINFORCED CONCRETE
- METAL DECK

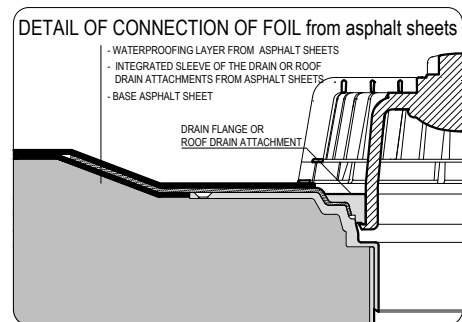
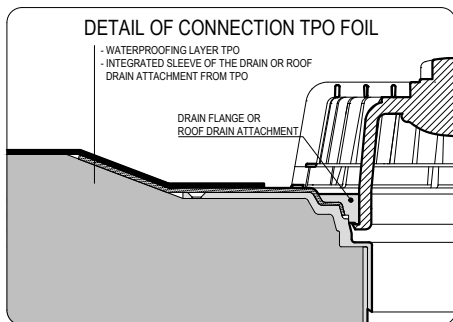
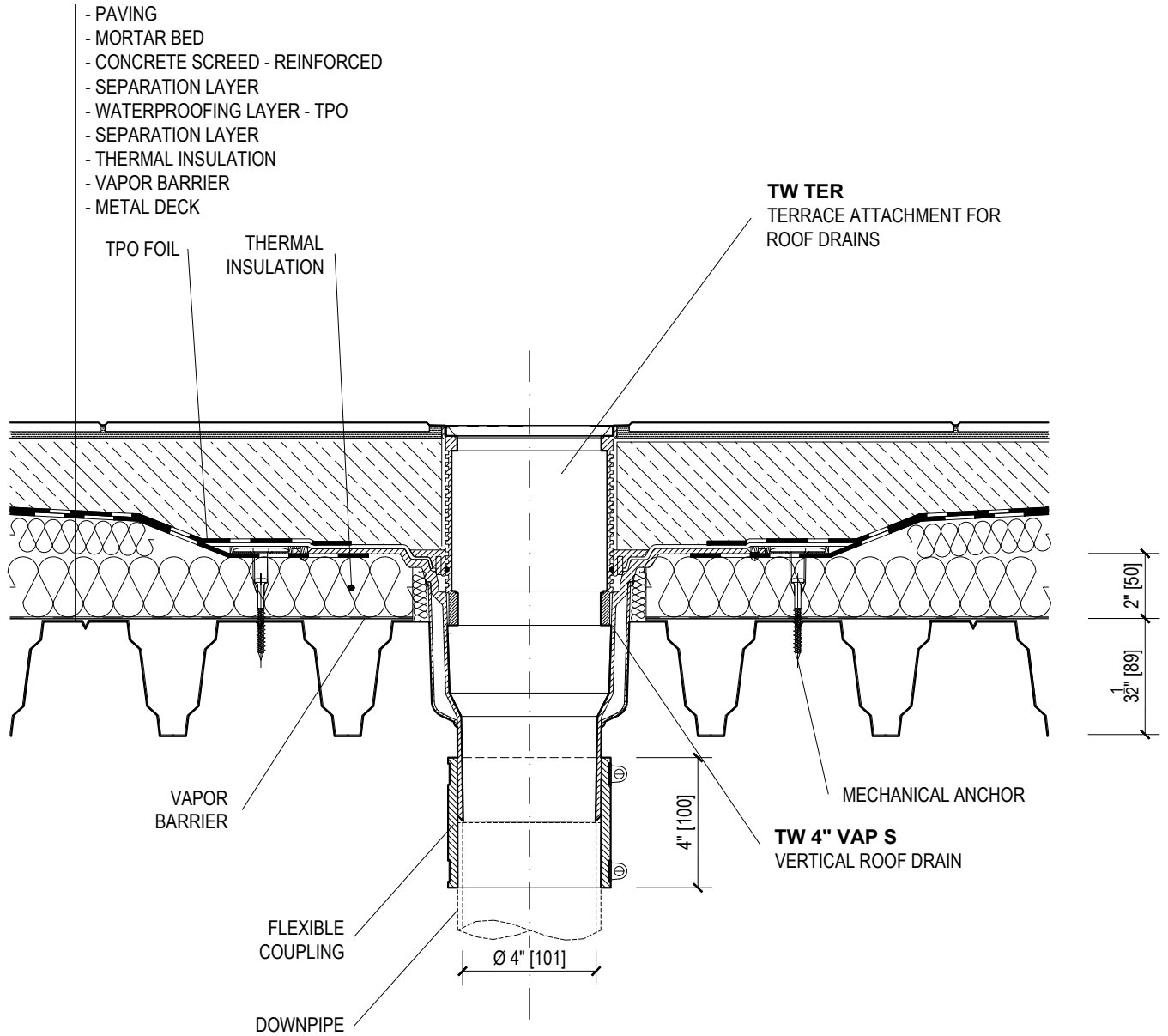
TWZ 16"/16"/6"
SHAFT FOR GREEN ROOFS
WITH WALKABLE GRID

TWK
DOME

TWN H6" TPO
ATTACHMENT FOR
ROOF DRAIN

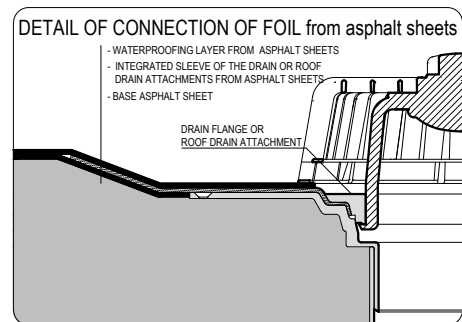
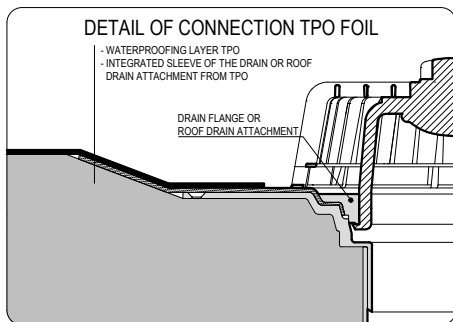
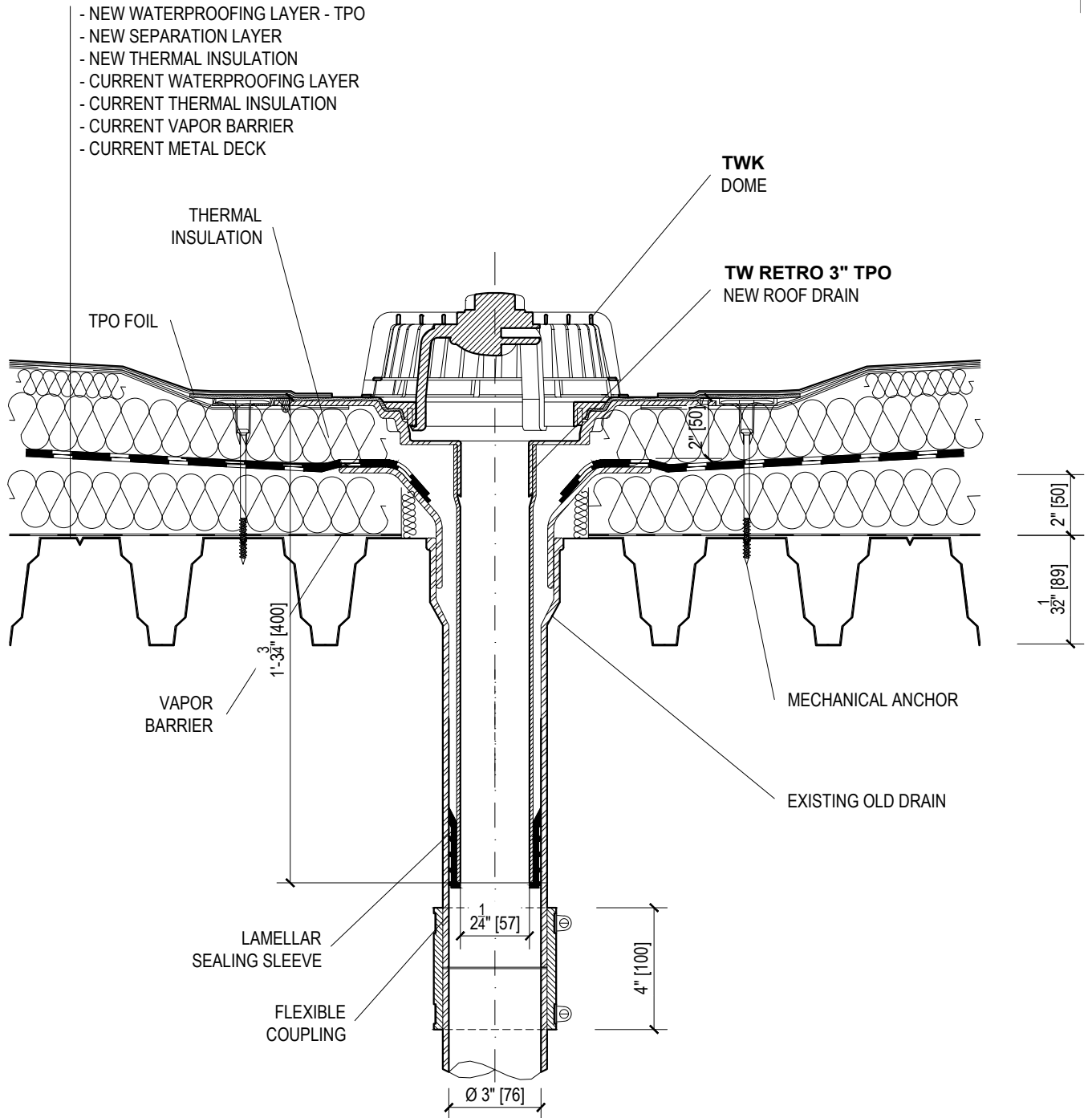


Name	DETAIL OF THE ROOF DRAIN		
Type	DOUBLE DECK THERMAL INSULATED ROOF		
Construction	REINFORCED CONCRETE, METAL DECK		
Components	TW 4" VAP S, TWN H6" TPO, TWK, TWZ 16"/16"/6"	Scale	1:5

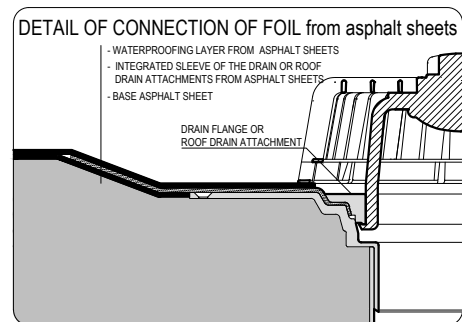
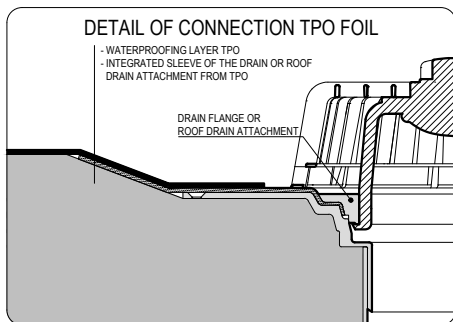
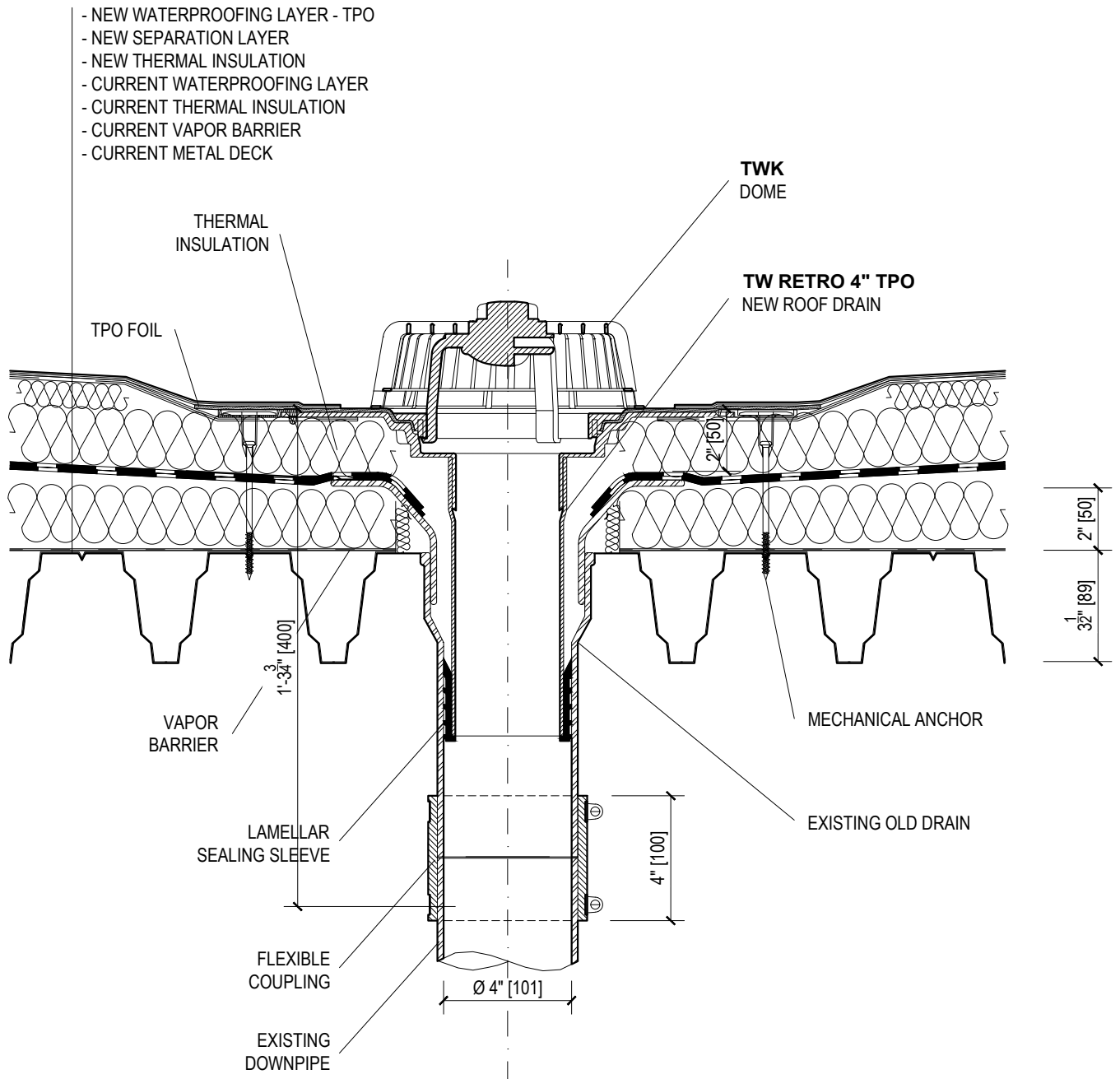


Name	DETAIL OF THE ROOF DRAIN
Type	SINGLE DECK THERMAL INSULATED ROOF
Construction	METAL DECK
Components	TW 4" VAP S, TW TER

Scale 1:5

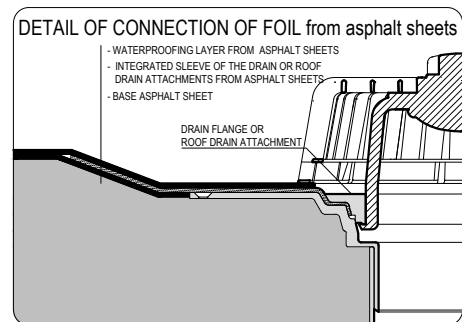
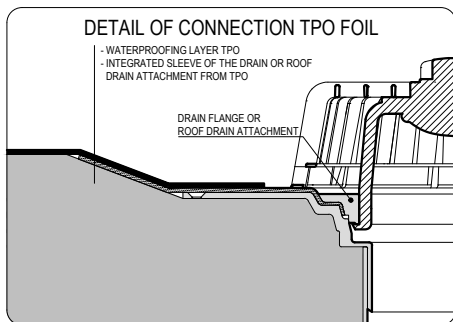
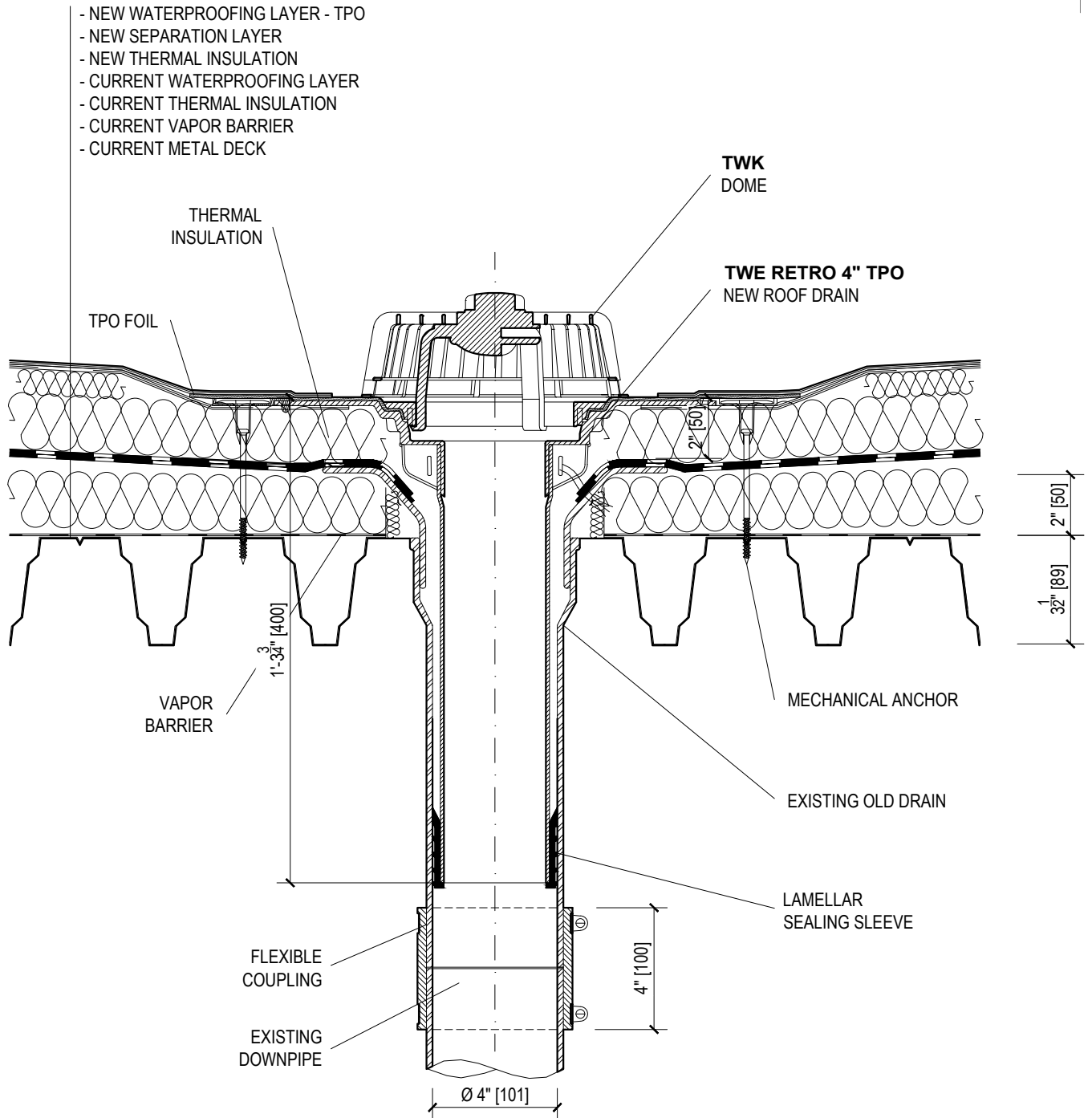


Name	DETAIL OF THE ROOF DRAIN		
Type	DOUBLE DECK THERMAL INSULATED ROOF		
Construction	METAL DECK		
Components	TW RETRO 3" TPO, TWK	Scale	1:5



Name	DETAIL OF THE ROOF DRAIN
Type	DOUBLE DECK THERMAL INSULATED ROOF
Construction	METAL DECK
Components	TW RETRO 4" TPO, TWK

Scale 1:5



Name	DETAIL OF THE ROOF DRAIN		
Type	DOUBLE DECK THERMAL INSULATED ROOF		
Construction	METAL DECK		
Components	TWE RETRO 4\" TPO, TWK	Scale	1:5