

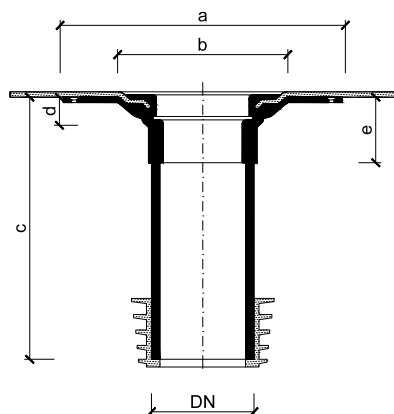


### Retrofit drains TOPWET TW RETRO

#### BASIC INFORMATION

purpose	direct connection to existing roof drains or vertical rainwater pipes
material	drain body – polyamide PA6, dome – polyamide PA6, retrofit seal – EPDM
integrated connection sleeve	BIT – modified bituminous APP strip, TPO – thermoplastic (flexible) polyolefin, EPDM – synthetic rubber foil, PVC - mPVC based foil, STE – of liquid sealing, VAP - self adhered vapour barrier comprised of SBS modified bitumen adhesive, laminated with high-density polyethylene top surface
colour	grey
certification	ASME A112.6.4-2003
manufacturer	TOPWET s.r.o., náměstí Viléma Mrštíka 62, 664 81 Ostrovačice, Czech Republic

#### TECHNICAL PARAMETERS



#### Retrofit drains for heated roofs

Type	DN	Dimensions [in]				
		a	b	c*	d	e
TW RETRO 3	3	13	8	16	1 1/2	3 1/2
TW RETRO 4	4	13	8	16	1 1/2	3 1/2
TW RETRO 5	5	13	8	16	1 1/2	3 1/2
TW RETRO 6	6	13	8	16	1 1/2	3 1/2

\* optionally extension up to 60" to order