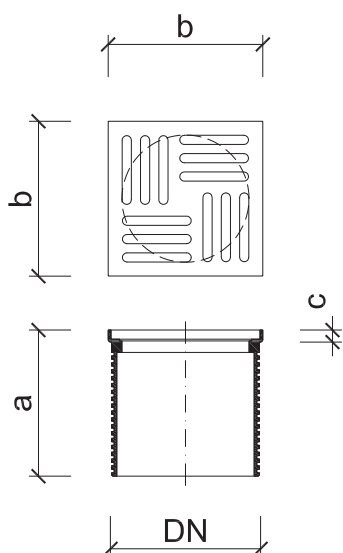


## Terraced extenders TOPWET TW TER, TW TER P

### BASIC INFORMATION

purpose	extender for terrace drains and roof drains
material	polyamide PA6
certification	ASME A112.6.4-2003
manufacturer	TOPWET s.r.o., náměstí Viléma Mrštíka 62, 664 81 Ostrovačice, Czech Republic
description	Terraced extenders TOPWET for balconies and terraces with glued or otherwise mounted pavement. The package includes one drainage ring for the more continuous water runoff from the main waterproof system. The terraced extenders can be extended with another drainage ring TW ODK by about 1 1/3" or the extenders TWN TER. The extenders height is adjustable; the thick-walled polyamide PA6 UV Stabil design.

### TECHNICAL PARAMETERS



#### Terraced extenders

Type	DN	Dimensions [in]			Purpose
		a	b	c	
TW TER	5*	4	5 1/2	1/2	A universal terrace extender for balconies and terraces.
TW TER P	5*	8 2/3	5 1/2	1/2	

\* How can extenders be universal for various diameters of roof and terrace drains 3" and 4"?  
The drains have a neck or an integrated sleeve of the same construction and diameter. The drain construction only differs below the neck. Ensuring that all the accessories are universal.

\*\* What extender shall I use if I have screed waterproof which is at the level of the drain neck?  
For this type of finish, there is TW TER extender which can be shortened according to the height of the screed and paving.